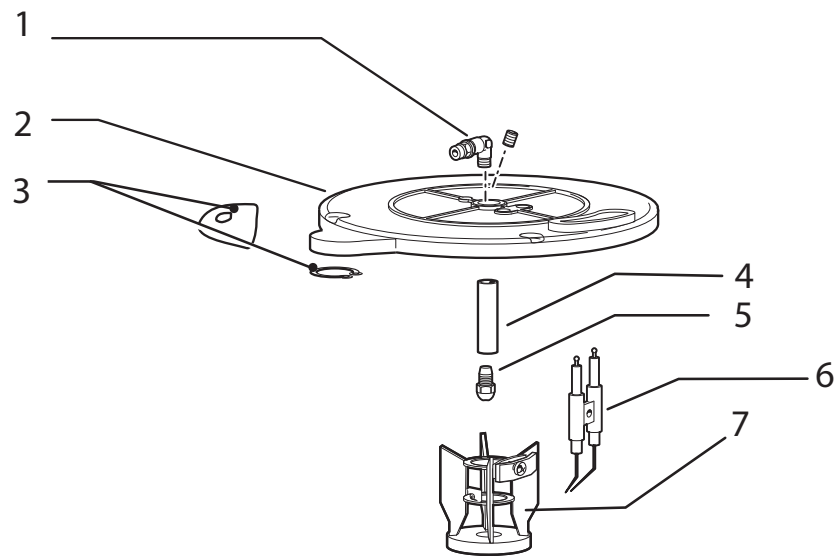


D56110007/01



Pos.	Code	Substituted by	Q.ty	Purchasable	Min. Q.ty	For mainten.	Description
001	3.100.0075		1	Yes	2		CONIC CONNECTION M 1/8 F D.4 CURVED FOR GASOIL HOSE VITON O-
002	4.005.0194		1	Yes	1		CAP FOR BOILER FKX
003	5.009.0637		1	Yes	6		BOILER CAP KIT
004	4.006.0187		1	Yes	4		NOZZLE HOLDER PIN
005	3.104.0022		1	Yes	1	EXT	GAS OIL NOZZLE 0.65 60°HR
006	4.614.0003		1	Yes	1	EXT	ELECTRODE D.2 FKX PARANA'
007	3.099.0297	6.005.0308	1	Yes	1		COMPLETE DEFLECTOR